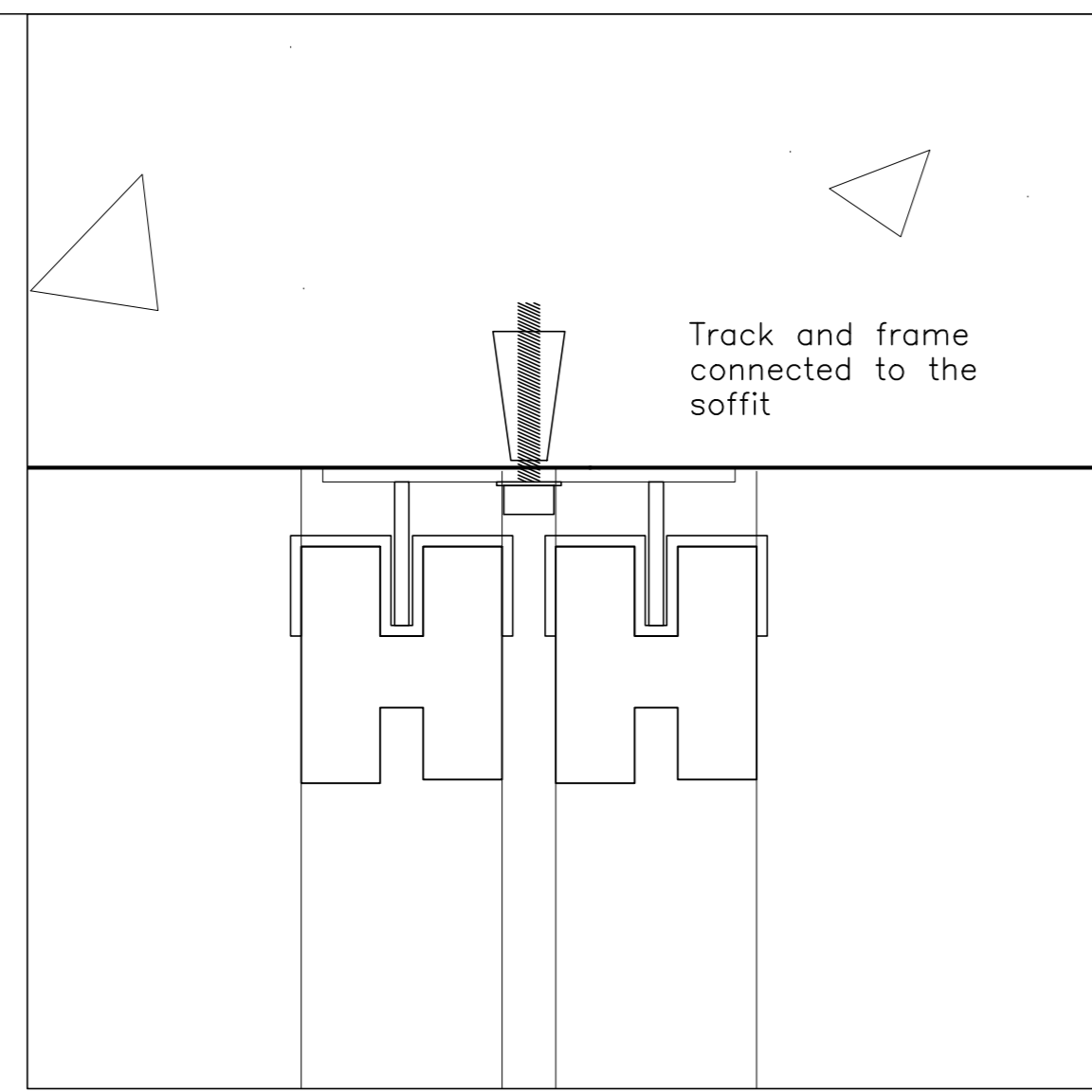
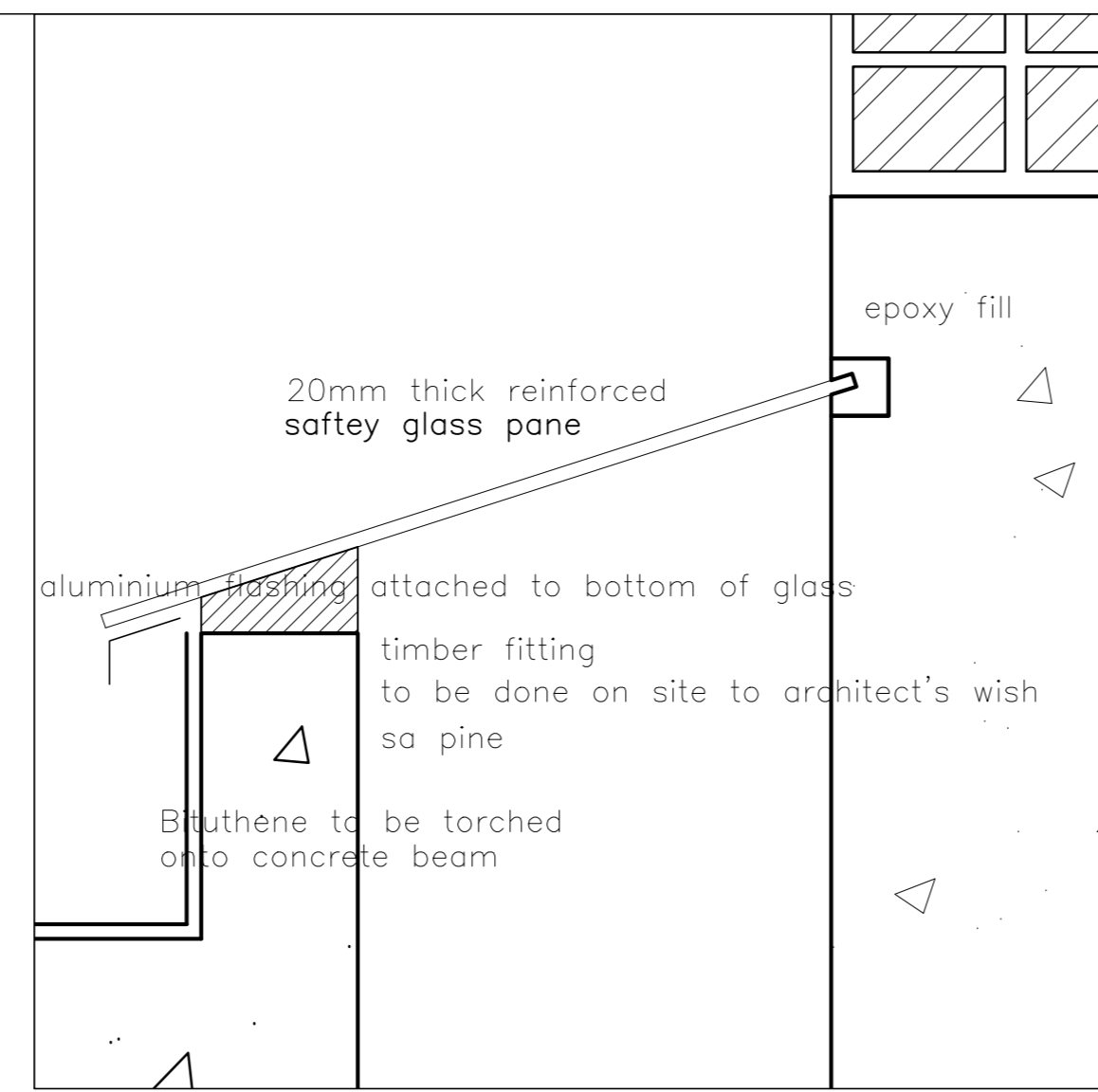


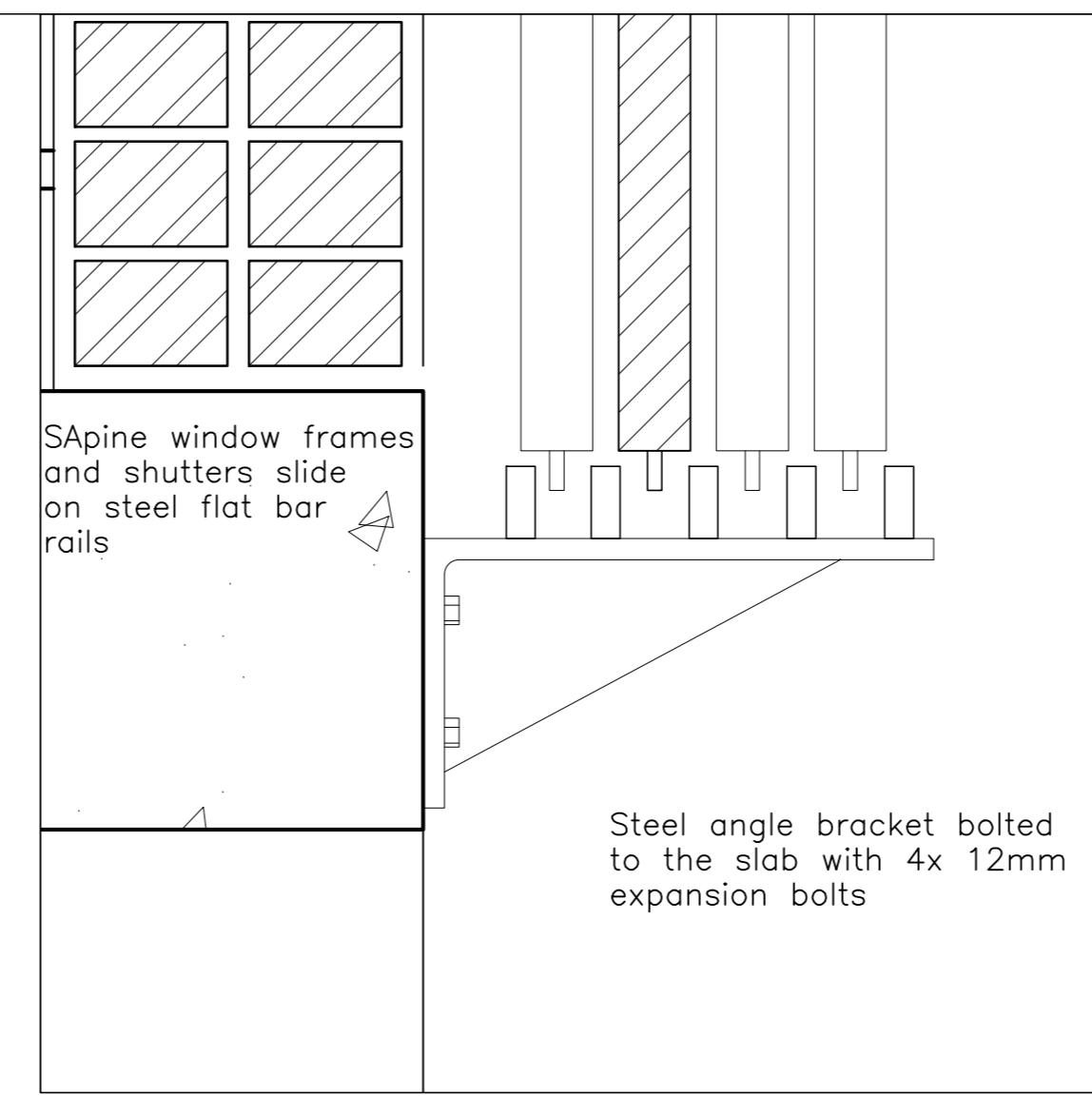
A - 1:2 detail of rail rollers



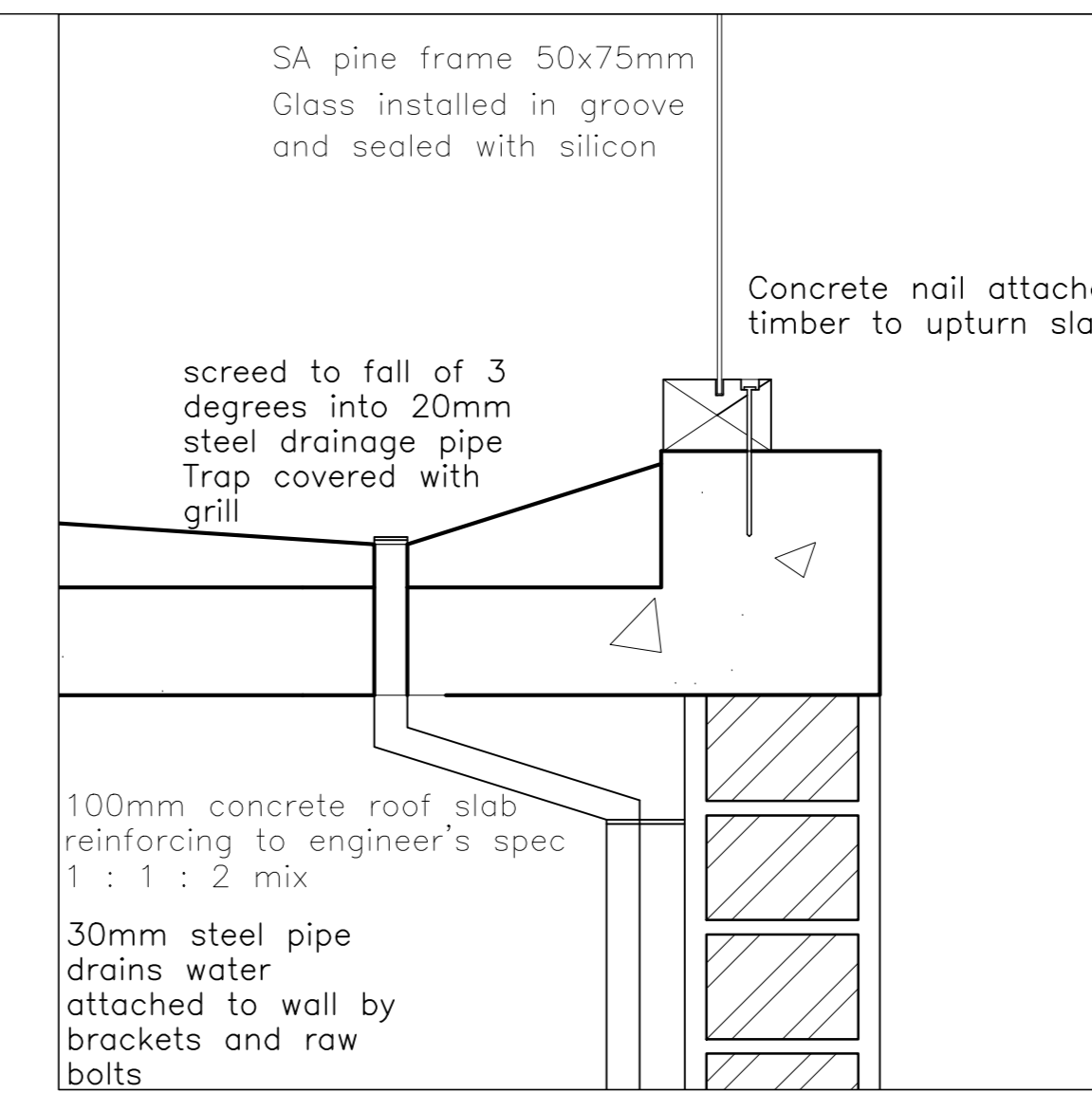
B - 1:2 detail of rail guide



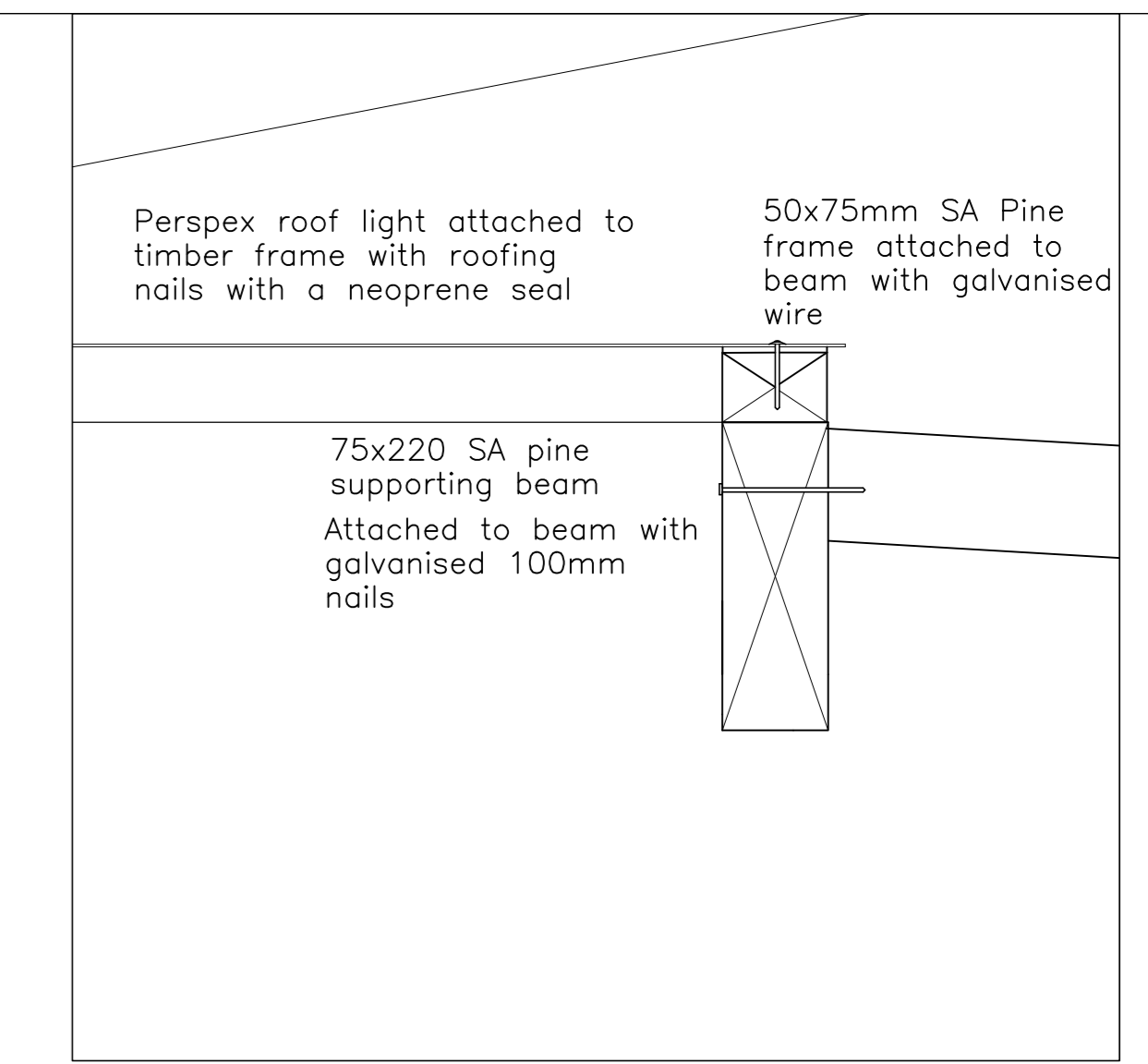
C - 1:5 detail of skylight above fireplace



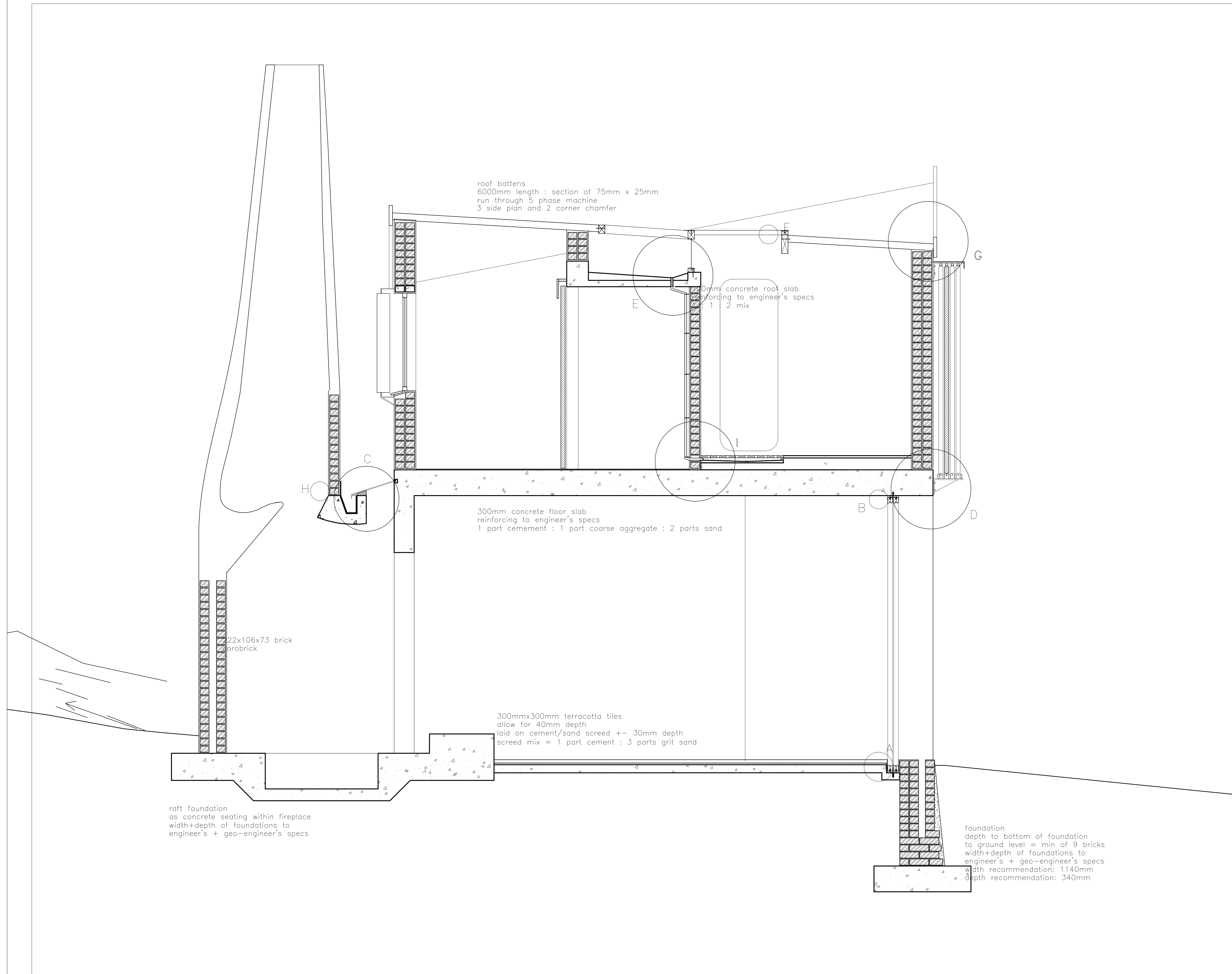
D - 1:2 detail of rail guide



E - 1:5 detail of skylight above shower

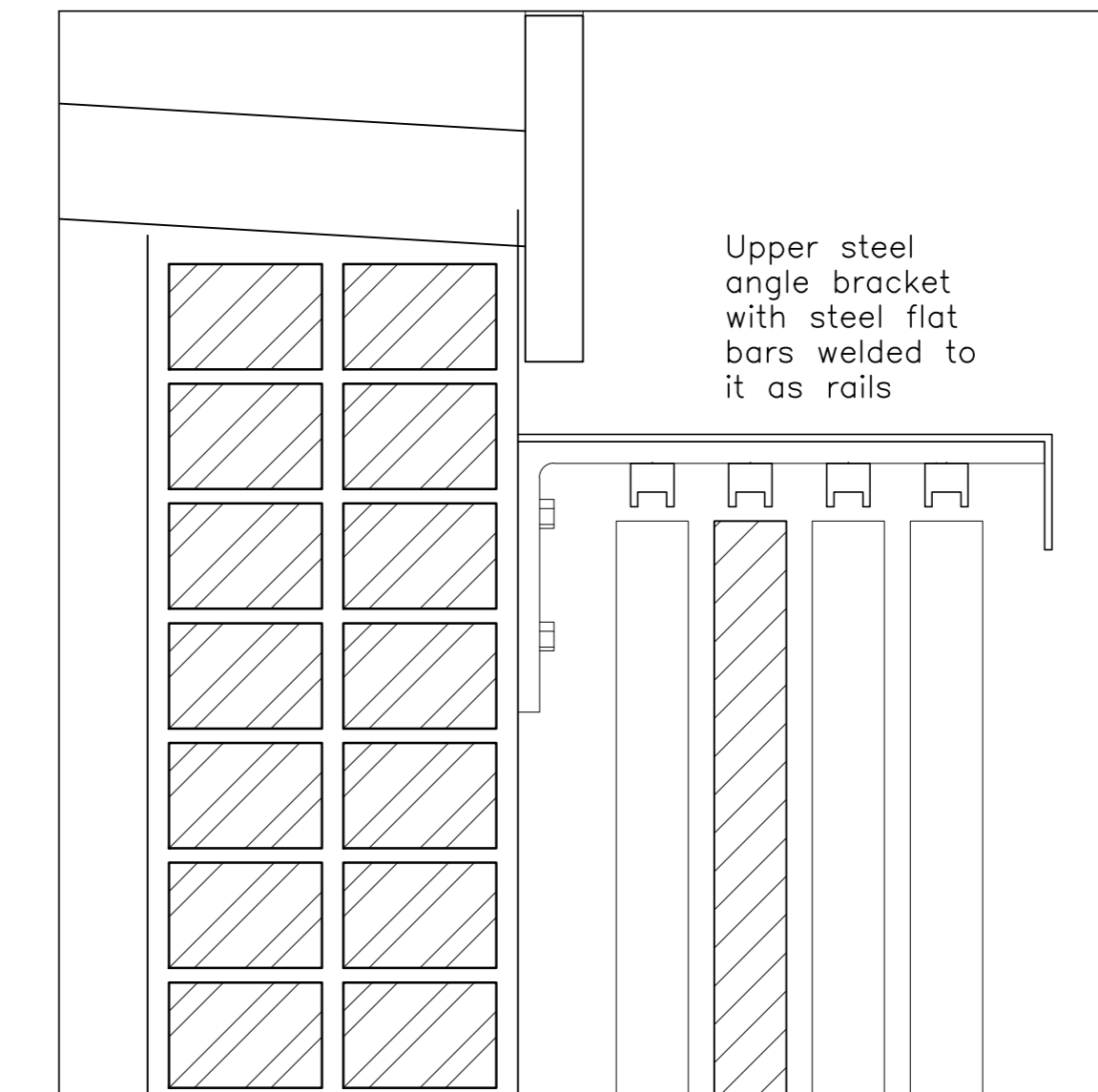


F - 1:5 detail of skylight above shower

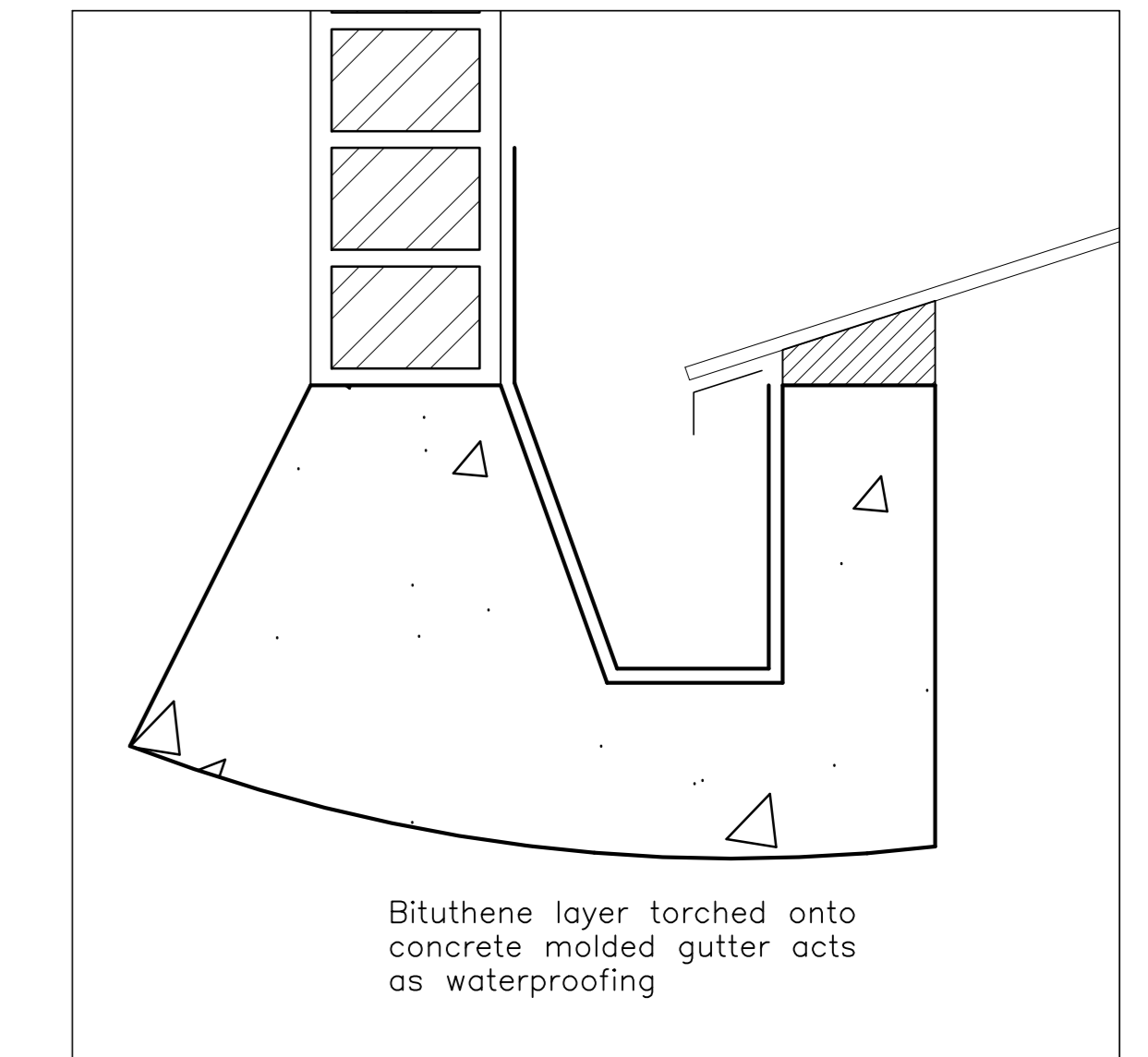


DETAIL SECTION THROUGH FIREPLACE

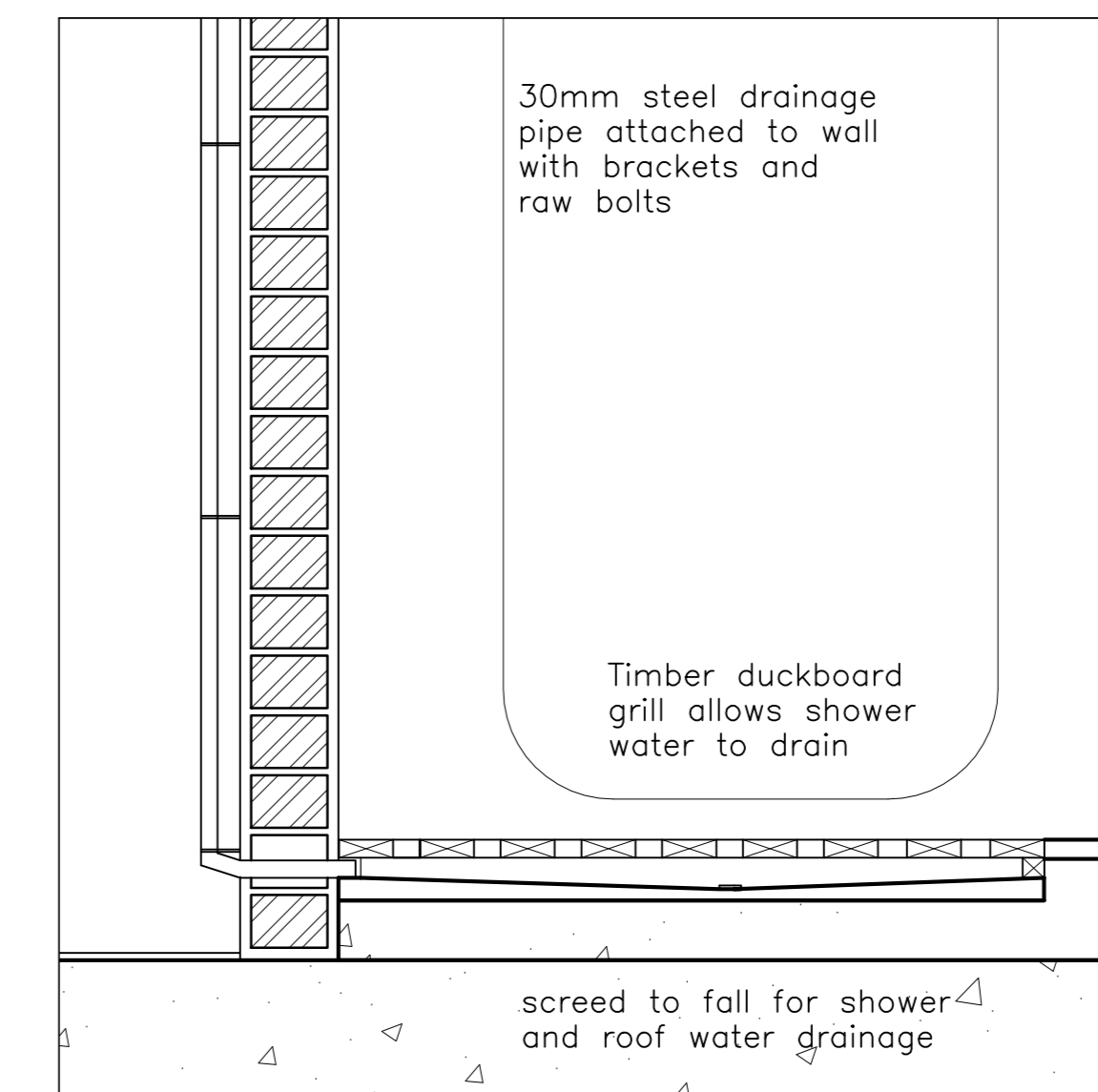
1:20 DETAIL



G - 1:5 detail of sliding shutters



H - 1:5 detail of concrete beam/gutter



I - 1:5 detail of shower drainage

DIE ES
GAWIE FAGAN

TECHNOLOGY BAS 2 2010
DETAILING TUT

Ant Vervoot, James Stewart, Max Melville
Sarah Pineo, Peta Almon, Gaarith Williams